

Exhibit A

7. GATE INSTALLATION SERVICES

A. Contractor Requirements

1. Contractor shall meet the Gate Installation Specifications/Requirements as listed.
2. Contractor shall provide design drawings and installation instructions sufficient to obtain a fence permit. Details should include:
 - a) Design drawings/scale sketches, details on steel to be used in angles, gate frame, pickets, pipe columns, bolts, and any other metal to be part of the fully fabricated gate.
 - b) Details on footings required and design drawing on the completed footing.
 - c) Locking mechanisms that meet the specifications as listed.
 - d) A design for a shield that can allow for lock access from inside and outside the gate that will prevent locks from being cut. (Depending on cost the mechanism may or may not be included in the final project).
3. Contractors will assemble and have available for inspection a sample alley gate panel, meeting these design and structural requirements (roughly 7.5-foot length)
4. Contractor is responsible for site visit to get detailed measurements on area to be gated.
5. Contractor will create a plot plan showing the location of the gate/fencing and the footers in the alley. Measurements from the closest sidewalk/curb must be provided on the graphic.
 - a) Contractors are to provide their recommended locations based on site specific conditions while adhering to the Gate Specifications.
6. Contractor will submit all permit applications, make any required plan revisions, and obtain permits.
 - a) Contract awardee must contact City of Phoenix Planning and Development Department to schedule two inspections:
 - (1) Initial Inspection: Schedule prior to installation of gate posts. (e.g., footings)
 - (2) Final Inspection: Schedule upon the completion of the gate installation
7. Contractors will be responsible for coordinating all utility clearances necessary for safe installation, should they be required.
 - a) Contract awardee must contact Blue Stake to request a survey identifying all utility lines (water, electrical, cable, etc.) prior to commencing any construction work.
8. Contractor must be bonded and licensed.
 - a) The Contractor will provide federal I.D. number(s).

- b) The Contractor will provide detailed contact information (phone numbers and email address) for all contact persons listed.
- 9. The Contractor will be responsible for furnishing all supervision, technical staff, labor, material, equipment, tools, transportation, services, licenses and permits required to perform and complete necessary gate fabrication and installation work.
- 10. The Contractor shall not commence work until a permit has been issued by the City of Phoenix.
- 11. Contract awardee must attend any necessary Post Award meeting with the City of Phoenix Staff.
- 12. Contract awardee must attend any necessary meetings with Neighborhood Services Department staff, the Alley Captain and community members.

B. Gate Installation Specifications/Requirements

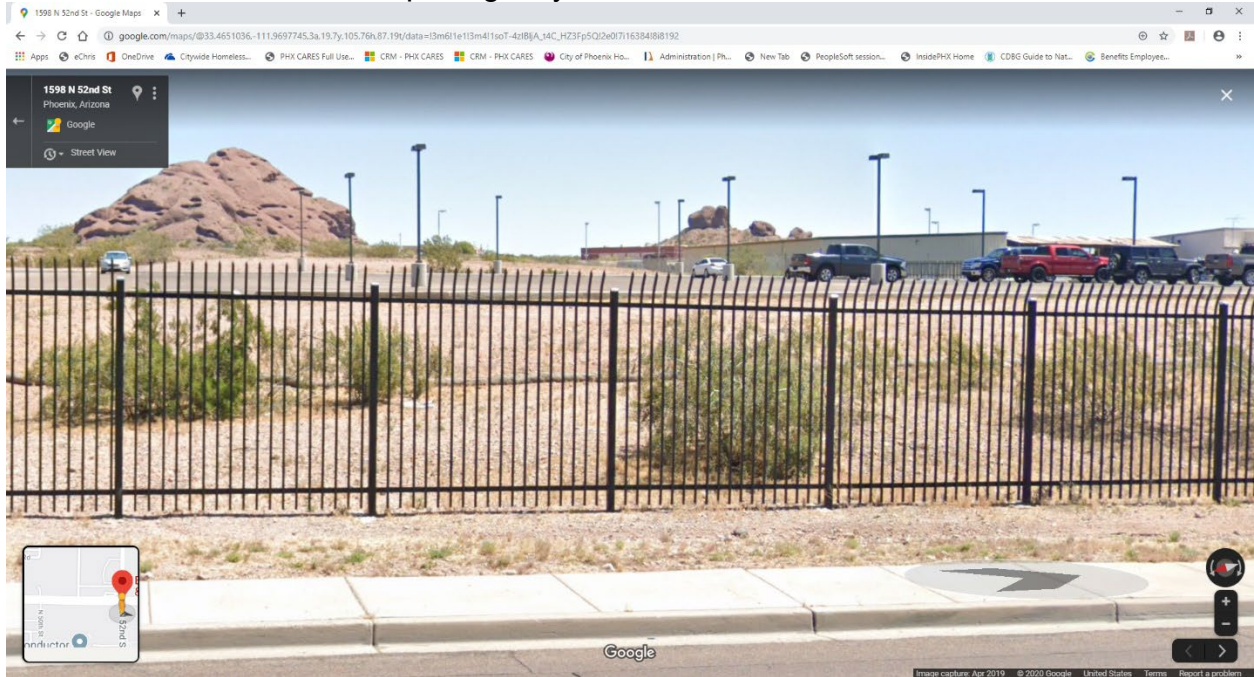
- 1. Gates shall be wrought iron (steel) and meet the following general specifications:
 - a) Gates shall be six feet in height, but no higher. If site conditions require a lower height, gate height shall be no lower than five feet, per pool barrier standards (TRT 00144).
 - b) Vertical slats/bars shall be a minimum $\frac{3}{4}$ inch square tubing with a .083- inch wall thickness no farther than 4-3/4 inches on center (o.c.) apart. Reference Relevant Images, Image 2.
 - c) There shall be a minimum of 45 inches between horizontal bars, toeholds or handholds to prevent climbing. Maximum vertical clearance between grade and the bottom of the gate shall be two inches over soft (unpaved) surfaces and four inches when grade is solid surface (concrete or asphalt).
 - d) Gate sections should be standard combined width of 15 feet with standard widths between pivot footings. Any remaining gap between the pivot post and adjacent walls will be filled with side panels designed for the location.
 - e) Gates shall be free of screening or mesh to avoid impeding visibility into the alley and/or providing a surface for graffiti.
 - f) Gates and side panels will cover full width of alley (standard width is 16 feet but could vary). Contractor will make site inspection prior to fabrication to verify alley width and identify installation obstacles.
 - g) Gates will be **powder-coated** semi-gloss black.
 - h) The top of the gate shall have vertical members that then curve at terminate at approximately 33 degrees away from the vertical towards the alley entrance, while the gate is in the closed position. These members shall terminate at a point at the top of the gate. Reference Relevant Images, Image 1.

- i) Gates shall be designed to withstand a concentrated live load of 300 pounds applied vertically downwards at any point along horizontal members. This load need only occur on one horizontal member in a given vertical plane at a time.
- j) Gates shall be designed to withstand the live loads associated with grab bars in accordance with the PBCC on any member. This load is nonconcurrent with the vertical live load.
- k) Post footings shall be sized per Exhibit B.
- l) Gates shall be designed to the requirements of the Phoenix Building Construction Code (PBCC).
- m) Structural Steel will conform to ASTM A36.
- n) Tubular Steel will conform to ASTM A500, Grade B.
- o) Welding will be performed in accordance with the requirements of the current edition of the American Welding Society, Structural Welding Code, D1.1. All butt welds on exposed surfaces will be ground flush with adjacent surfaces.
- p) Horizontal members and railing will be carefully erected, true to line and grade. Posts will be vertical and parallel, with the deviation from the vertical for the full height of the panel not exceeding 1/8 inch.
- q) Railing panels will be straight and true to dimensions.
- r) The design must include a way to protect the combination lock and fire lock from being cut. Recommend including a chain welded to the gate and a steel sheath to house the combination lock. (Tentative design for approval) reference Relevant Images, Image 3.
- s) After erecting the fence, any damage or abrasion to painted surfaces or exposed steel shall be repaired.

C. Relevant Images:

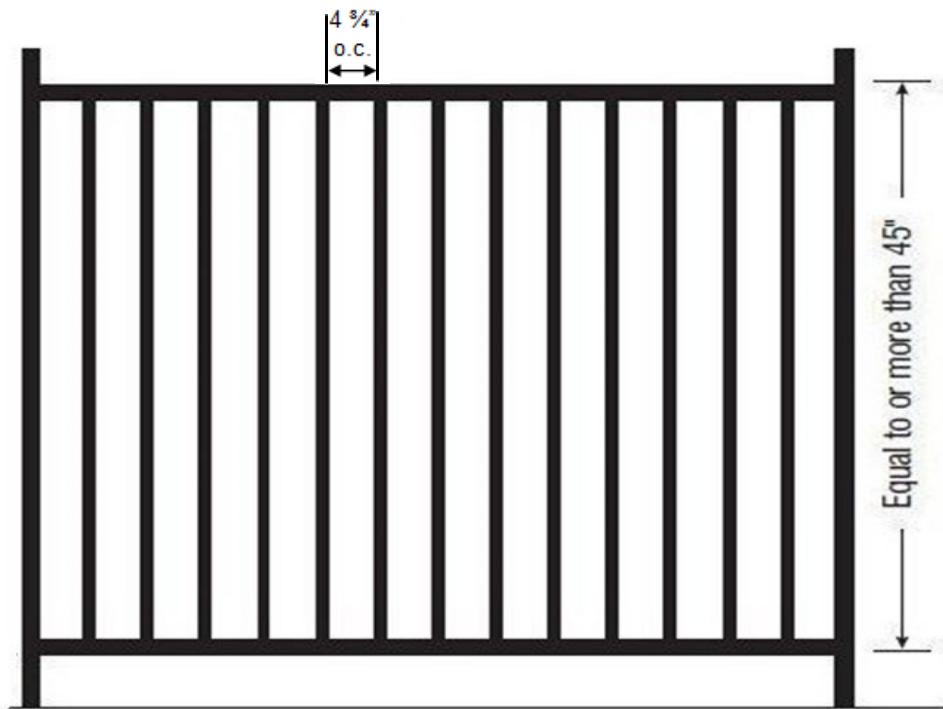
1. Image 1

- a) This image is to provide an example of steel and vertical spacing only:

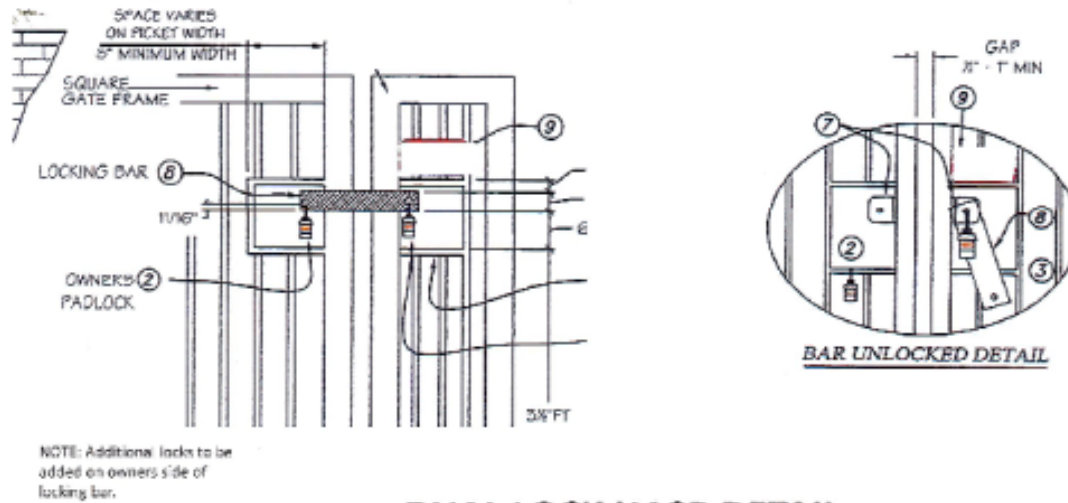


2. Image 2:

- a) This image is to provide an example of steel and vertical spacing only.



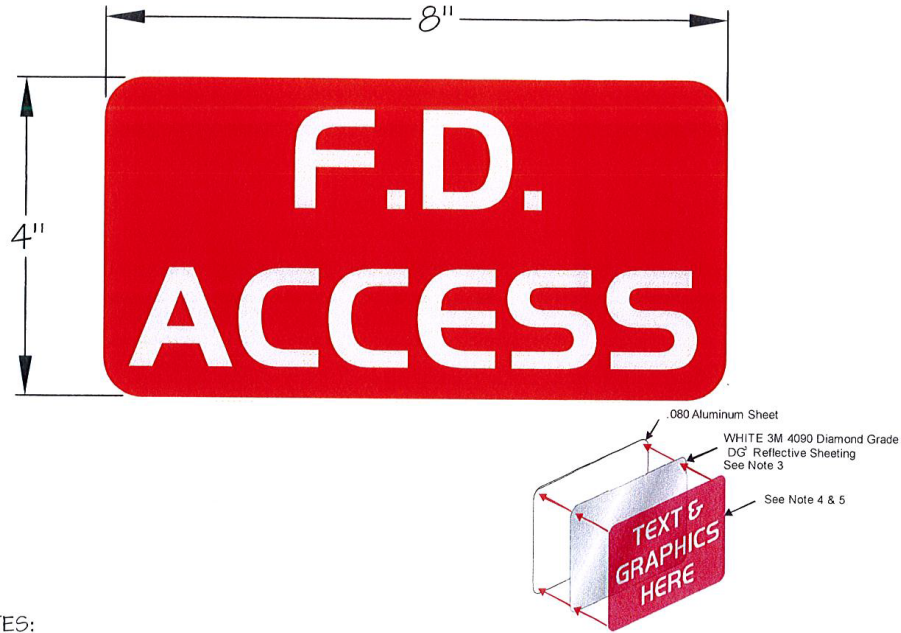
3. Image 3:



**DUAL LOCK HASP DETAIL
FOR MANUAL GATES**

4. Image 4:

**APPROVED PHOENIX FIRE DEPARTMENT
ACCESS SIGN
(FIGURE 5-17)**



NOTES:

1. THE SIGN FACE SHALL BE 8" X 4" AND FABRICATED FROM .080 ALUMINUM SHEET WITH $\frac{1}{2}$ " RADIUS CORNERS.
2. LETTERS $1\frac{1}{2}$ " X $\frac{1}{4}$ " STROKE, FONT STYLE USED IS HANDEL GOTHIC BT CAPITAL FONTS.
3. THE SIGN FACE SHALL HAVE A WHITE 3M DIAMOND GRADE REFLECTIVE SHEETING (DG³ 4090 SERIES OR EQUIVALENT) APPLIED AS A BACKGROUND TO THE ALUMINUM PLATES.
4. LETTERING / GRAPHICS SHALL BE DONE ONE OF THE FOLLOWING WAYS:
 - A. 3M SCOTCHLITE ACRYLIC, TRANSPARENT, ELECTRONIC CUTTABLE FILM (RED 1172 SERIES) INVERSE CUT TO ALLOW WHITE REFLECTIVE BACKGROUND TO SHOW THROUGH.
 - B. SCREEN PRINTED USING 3M 880I OR 880-00 SERIES TRAFFIC SIGN RED TRANSLUCENT INK.BOTH PROCESSES (A OR B) WILL ACCOMPLISH A RED FIELD WITH WHITE COPY.
5. ALL SIGN IMAGING SHALL BE IN COMPLIANCE WITH THE REFLECTIVE SHEETING MANUFACTURES MATCH COMPONENT SYSTEM.
6. REQUIRES PRE-APPROVAL BY FIRE PREVENTION EMERGENCY ACCESS OFFICER.

FILE NAME: ACCESS_SIGN.dwg
CALL FIRE PREVENTION-ACCESS OFFICER
FOR QUESTIONS OR ASSISTANCE
602-256-3382 OR 602-262-6771

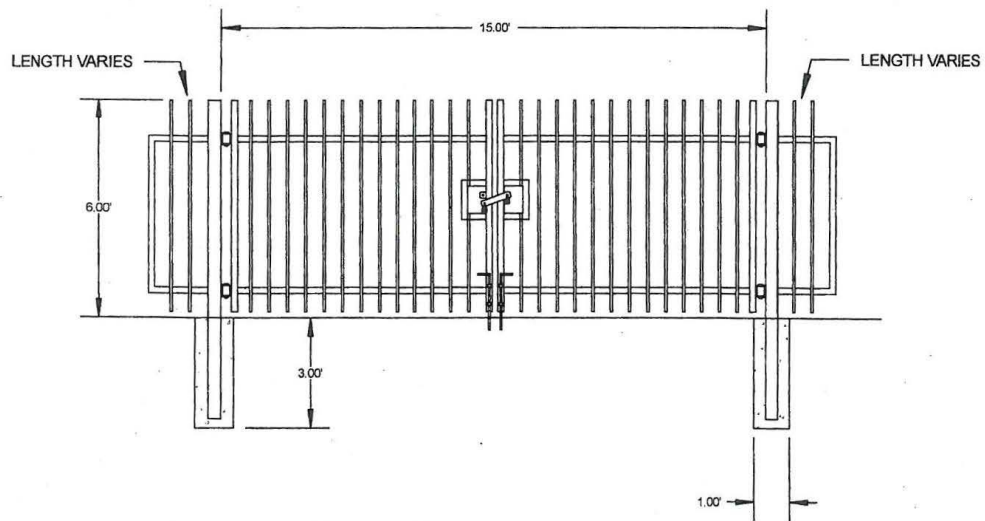
 **PHOENIX
FIRE DEPARTMENT**

APPROVED ACCESS SIGN

L. HERTZ DETAIL 8.9 APRIL 2006

Exhibit B

FLAT GUARDIAN SWING GATE



POSTS: 4" SQ X .250 WALL
FRAME: 1-1/2" SQ X 14 GA
PICKETS: 3/4" SQ X 16 GA (4-3/4" O.C.) 45 DEGREE ARCHED TOP
HINGES: SMALL GUARDIAN ROLLER BEARING HINGES (1000# CAPACITY)
LATCH: DUAL PAD LOCK BAR & CANE BOLTS
FOOTINGS: 12" DIA X 36" DEEP CONCRETE
FINISH: BLACK POWDER COAT

NOTE: FILLER PANELS WELDED TO GATE POSTS AS NEEDED